



City of Napoleon, Ohio

Zoning Department

255 West Riverview Avenue, P.O. Box 151

Napoleon, OH 43545

Mark B. Spiess, Senior Engineering Technician / Zoning Administrator

Telephone: (419) 592-4010 Fax: (419) 599-8393

www.napoleonohio.com

COMMERCIAL ZONING PERMIT

Issued Date: April 3, 2019

Expiration Date: April 3, 2020

Permit Number: P-19-037

Job Location: 1515 Scott St.

Owner: American Tower
49030 Pontiac Trail Suite 100
Wixom, MI 48393

Contractor: Dynamic Construction
740-927-8898

Zone: C-4 Planned Commercial

Set Backs: Principle Building

Front: None Rear: None Side: None

Comments:

Add and Remove Antennas and Related Equipment on Existing Tower

Permit Type: Zoning

Fee: \$50.00

Status: Paid

Amount Due: \$0.00

Mark B. Spiess

Sr. Eng. Tech / Zoning Admin.

SCANNED



City of Napoleon, Ohio

Zoning Department

255 West Riverview Avenue, P.O. Box 151
Napoleon, OH 43545

Mark B. Spiess, Senior Engineering Technician / Zoning Administrator
Telephone: (419) 592-4010 Fax: (419) 599-8393
www.napoleonohio.com

MAUMEE RIVER ALLETEL
99044

D-19-037

Commercial Zoning Permit Application

Date 3/28/2019 Job Location 1515 N Scott Street Napoleon OH

Owner American Tower (Owner)/Verizon Wireless (Lessee) Telephone # 805-708-0528

Owner Address 49030 Pontiac Trail, Suite 100 Wixom, MI 48393

Contractor TBD - Out for Bid Cell Phone # _____

Description of Work to be Performed Add and remove antennas and related equipment on existing tower
PLEASE SEE INCLUDED CONSTRUCTION DRAWINGS

Estimated Completion Date 6/28/2019 Estimated Cost \$10,000

	TOTAL COST
Demo Permit - \$100.00 – See Separate Form (MDEMO 100.1700.46690)	\$
Zoning Permit - \$50.00 (MZON 100.1700.46690)	\$
Fence - \$25.00 (MZON 100.1700.46690)	\$
Garage and Shed Under 200 SF (Detached) - \$25.00 (MZON 100.1700.46690)	\$
Driveway/Sidewalk/Curbing - \$0.00	\$
Outside Water/Sewer Repair - \$0.00	\$
1" Water Tap, 5/8" Meter, Copper Setter and Transmitter - \$1,200.00(Outside City - \$1,680) (MLBDG 510.0000.47300)	\$
1" Water Tap, 3/4" Meter, Copper Setter and Transmitter - \$1,300.00(Outside City - \$1,820) (MLBDG 510.0000.47300)	\$
1" Water Tap, 1" Meter, Copper Setter and Transmitter - \$1,400.00 (Outside City - \$1,960) (MLBDG 510.0000.47300)	\$
1 1/2" Water Tap and Larger - See Operations Superintendent	\$
Sanitary Sewer Tap - \$600.00 (MLBDG 510.0000.44730)	\$
Sanitary Sewer, Multifamily 51 ft or more - \$100.00 + \$10.00 for each 50 ft increment (MLBDG 510.0000.44730)	\$
Plan Review - \$200.00 (MLBDG 510.0000.44730)	\$
Sewer Main Extension in Right of Way Inspection – 2% of Construction Cost (MLBDG 510.0000.44730)	\$
TOTAL FEE:	\$

I FULLY UNDERSTAND THAT NO EXCAVATION, CONSTRUCTION OR STRUCTURAL ALTERATION, ELECTRICAL OR MECHANICAL INSTALLATION OR ALTERATION OF ANY BUILDING STRUCTURE, SIGN, OR PART THEREOF AND NO USE OF THE ABOVE SHALL BE UNDERTAKEN OR PERFORMED UNTIL THE PERMIT APPLIED FOR HEREIN HAS BEEN APPROVED AND ISSUED BY THE CITY OF NAPOLEON ZONING DEPARTMENT. I hereby certify that I am the Owner of the named property, or that the proposed work is authorized by the Owner of record and that I have been authorized by the Owner to make this application as his/her authorized agent and I agree to conform to all applicable laws of the jurisdiction. In addition, if a permit for Work described in this application is issued, I certify that the code official or the code official's authorized representative shall have the authority to enter areas covered by such permit at any reasonable hour to enforce the provisions of the code(s) applicable to such permit.

I HEREBY ACKNOWLEDGE THAT I HAVE READ AND FULLY UNDERSTAND THE ABOVE LISTED INSTRUCTIONS.

SIGNATURE OF APPLICANT:

Ryan Davis 060 ATC/UVZU

DATE: 3-28-19

BATCH #

4086de

CHECK #

4-3-19

DATE

5/5/3

City of Napoleon, Ohio
Zoning Department
255 West Riverview Avenue
P.O. Box 151
Napoleon, OH 43545

March 28, 2019

**RE: Verizon Proposed Antenna Upgrades at 1515 N Scott Street, Napoleon, OH
[MAUMEE RIVER ALLTEL] [ATC ID: 99044]**

Dear Sir or Madam,

Verizon has leased space at 1515 N Scott Street, Napoleon, OH. Verizon is proposing to remove and replace antennas and related equipment at this site on the existing tower.

Verizon proposed installation will not extend the height of the tower. Verizon will not be adding any lighting to the tower. This installation will not change the existing use of the Wireless Communication Tower.

Enclosed, please find the following

- Construction Drawings (1 set, 11x17)
- Commercial Zoning Permit Application
- \$50 check for Commercial Zoning Permit Application Fee

Please **email**, **fax** or mail the approved permit and an invoice for the fees to:

Ryanne Davis
49030 Pontiac Trail, Suite 100
Wixom, MI 48393
Fax: **1-888-745-4719**
Email: **rdavis@smj-llc.com**

Please do not hesitate to contact me at 805-708-0528 with any questions or concerns.

Respectfully,

Ryanne Davis

Ryanne Davis
SMJ International, LLC



VZW SITE NA
 VZW LOCATI
 ATC SITE NU
 ATC SITERRA
 SITE/VZW PRI
 STRUCTURE

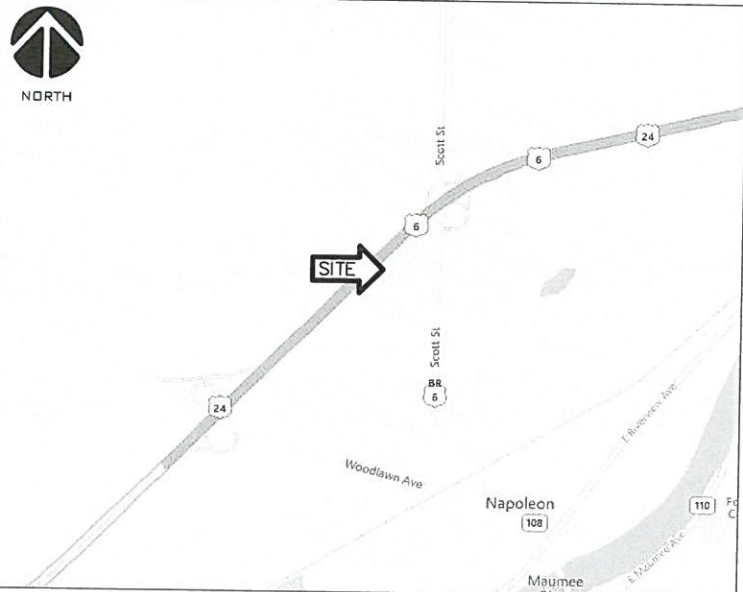
SITE INFORMATION

APPROXIMATE ADDRESS:
 1515 NORTH SCOTT STREET
 NAPOLEON, OH 43545

LATITUDE & LONGITUDE:
 LAT: 41° 24' 15.31" N
 LONG: 84° 8' 10.05" W



AREA MAP



ALL WORK SH
 -OHIO BUIL
 -2012 NATI
 -TIA/EIA-2
 IN THE EVENT

SEQU BASED

1. REMOVE (6)
2. INSTALL (6)
3. INSTALL (1) |
 184'-0"±

STRUCTURAL REVIEW

CONTRACTOR TO REVIEW STRUCTURAL REPORT IN ITS ENTIRETY. ANY DISCREPANCIES OR DISAGREEMENTS BETWEEN THE REPORT AND THESE PLANS SHOULD BE RESOLVED PRIOR TO CONSTRUCTION.

LOCATION MAP



FROM TOLEDO EX
 DEPART E AIRPORT SERVICE
 TURN LEFT ONTO OH-2 /
 TURN LEFT ONTO US-20. AT
 TURN RIGHT ONTO OH-295
 KEEP RIGHT TO STAY ON O
 TAKE RAMP RIGHT AND FOL
 AT EXIT 40, TAKE RAMP RI
 TURN LEFT ONTO US-6 BR
 TURN RIGHT ONTO ROAD
 ARRIVE AT 1515 NORTH SC

PROJECT DIRECTORY

LESSEE:
 VERIZON WIRELESS
 10801 BUSH LAKE RD
 BLOOMINGTON, MN 55438
 CONTACT: COURTNEY BEDNARZ
 PHONE: (952) 946-4694

RF ENGINEER:
 VERIZON WIRELESS
 10801 BUSH LAKE RD
 BLOOMINGTON, MN 55438
 CONTACT: TBD

ARCHITECT:
 PETER LICHOMSKI, ARCHITECT
 49030 PONTIAC TRAIL, SUITE 400,
 WIXOM, MI 48393
 CONTACT: PETER LICHOMSKI
 PHONE: (248) 705-9212
 peterlichomski@labarchitectsilc.com

SITE ACQUISITION:
 SMJ INTERNATIONAL LLC
 49030 PONTIAC TRAIL, SUITE 100,
 WIXOM, MI 48393
 CONTACT: JAMIE ABBGY, ESG
 PHONE: (616) 745-4777
 jamieabby@smj-llc.com

TOP OF EXISTING LIGHTNING ROD
ELEV = ±195'-0" A.G.L

TOP OF EXISTING VERIZON ANTENNAS
(CDMA 850)
ELEV = ±184'-0" A.G.L

TOP OF EXISTING VERIZON ANTENNAS
(LTE 700/LTE 850/LTE AWS/LTE PCS)
ELEV = ±182'-0" A.G.L

CL OF EXISTING VERIZON ANTENNAS
(CDMA 850)
ELEV = ±182'-0" A.G.L

TOP OF EXISTING GUYED TOWER
ELEV = ±180'-0" A.G.L

CL OF EXISTING VERIZON ANTENNAS
(LTE 700/LTE 850/LTE AWS/LTE PCS)
ELEV = ±180'-0" A.G.L

EXISTING ANTENNA'S
(4 PER SECTOR, 12 TOTAL)
TO REMAIN

EXISTING B13_4x30W
RRH'S (1 PER SECTOR, 3
TOTAL) TO BE REMOVED

EXISTING B66A_4x45W
RRH'S (1 PER SECTOR, 3
TOTAL) TO BE REMOVED

EXISTING (ANTENNA TWIN
BRACKET) SIDE-BY-SIDE
MOUNTING KIT
(1 PER SECTOR, 3
TOTAL) TO REMAIN

EXISTING
RC3DC-3315-PF-48
DISTRIBUTION BOX (1
PER SECTOR, 3 TOTAL)
TO REMAIN

EXISTING OTHER CARRIER
ANTENNA (TYP)

(1) 1-5/8" HYBRIDFLEX
HYBRID CABLE TO REMAIN

(11) EXISTING 1-5/8"
COAX CABLES TO REMAIN

EXISTING 180'-0" HIGH
SELF SUPPORT TOWER

EXISTING 9'-0" X
16'-0" PLATFORM

EXISTING VERIZON
ICE BRIDGE

EXISTING VERIZON
12'-0" X 28'-0"
EQUIPMENT SHELTER

EXISTING CHAIN
LINK FENCE

NOTES.

1. TOWER FOUNDATION DESIGN HAS BEEN PREPARED AND PROVIDED BY OTHERS. ALL CABLE ROUTING SHALL BE PER CURRENT STRUCTURAL ANALYSIS.
2. PLANS BASED ON DRAWINGS PROVIDED TO PLAN. NO SITE VISIT WAS PERFORMED BY PLAN. CONTRACTOR SHALL VERIFY ALL PLANS AND EXISTING DIMENSIONS AND CONDITIONS ON THE JOB SITE AND SHALL IMMEDIATELY NOTIFY THE PROJECT MANAGER IN WRITING OF ANY DISCREPANCIES BEFORE PROCEEDING WITH THE WORK OR BE RESPONSIBLE FOR SAME. THIS DRAWING MAY NOT SHOW ALL UNDERGROUND PIPING AND UTILITIES.
3. THIS DRAWING IS A GRAPHICAL REPRESENTATION OF THE TOWER. THE RAD CENTER OF THE EXISTING AND PROPOSED ANTENNAS AND SECTOR MOUNTING FRAME IS BASED ON INFORMATION PROVIDED THROUGH VERIZON WIRELESS.
4. THE CONTRACTOR SHALL VERIFY THE LOCATION OF THE PROPOSED CABLES, CABLE LADDER AND/OR CABLE SUPPORTING SYSTEM PER CURRENT STRUCTURAL ANALYSIS.
5. THE CONTRACTOR OR SUBCONTRACTOR SHALL FURNISH AND INSTALL CABLE LADDER RACK, CABLE TRAYS, ETC. AND/OR CONDUIT AS REQUIRED TO SUPPORT CABLES.
6. CONTRACTOR SHALL VERIFY WITH VERIZON WIRELESS 48 HOURS PRIOR TO INSTALLATION OF ALL EQUIPMENT/RF CONFIGURATION AND ANY WORK RELATED TO THE COMPLETION OF THIS PROJECT.
7. PRIOR TO INSTALLATION, A STRUCTURAL ANALYSIS SHALL BE PERFORMED BY A PROFESSIONAL ENGINEER LICENSED IN OHIO TO DETERMINE THE ADEQUACY OF THE EXISTING MOUNT FOR THE ADDITIONAL EQUIPMENT.

TOP OF
ELEV =

TOP OF
(CDMA
ELEV =

TOP OF
(LTE 7
ELEV =

CL OF E
(CDMA
ELEV =

TOP OF
ELEV =

CL OF E
(LTE 7
ELEV =

(1) 1-5
HYBRID

(11) EXI
COAX C

EXISTING
SELF SU

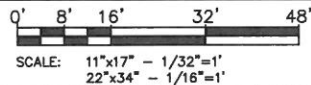
EXISTING
16'-0"

EXISTING
ICE BRI

EXISTING
12'-0"
EQUIPME

EXISTING
LINK FE

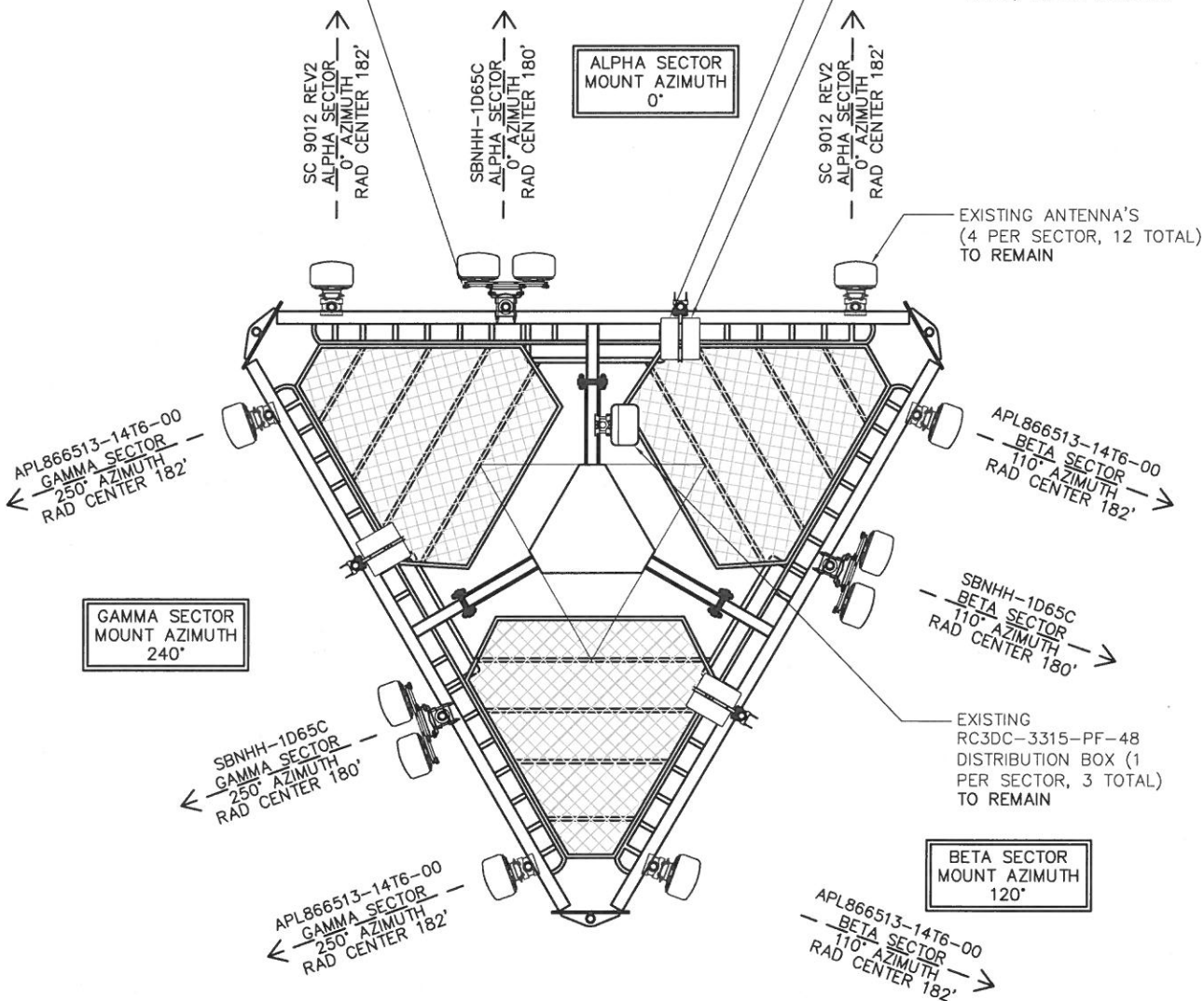
1 EXISTING SITE ELEVATION
C-2



EXISTING (ANTENNA TWIN BRACKET) SIDE-BY-SIDE MOUNTING KIT (1 PER SECTOR, 3 TOTAL) TO REMAIN

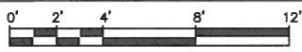
EXISTING B66A_4X45W RRR'S (1 PER SECTOR, 3 TOTAL) TO BE REMOVED
 EXISTING B13_4x30W RRR'S (1 PER SECTOR, 3 TOTAL) TO BE REMOVED

EXISTING (AN BRACKET) SI MOUNTING KI (1 PER SECT TO REMAIN -



1
C-3

EXISTING ANTENNA LAYOUT

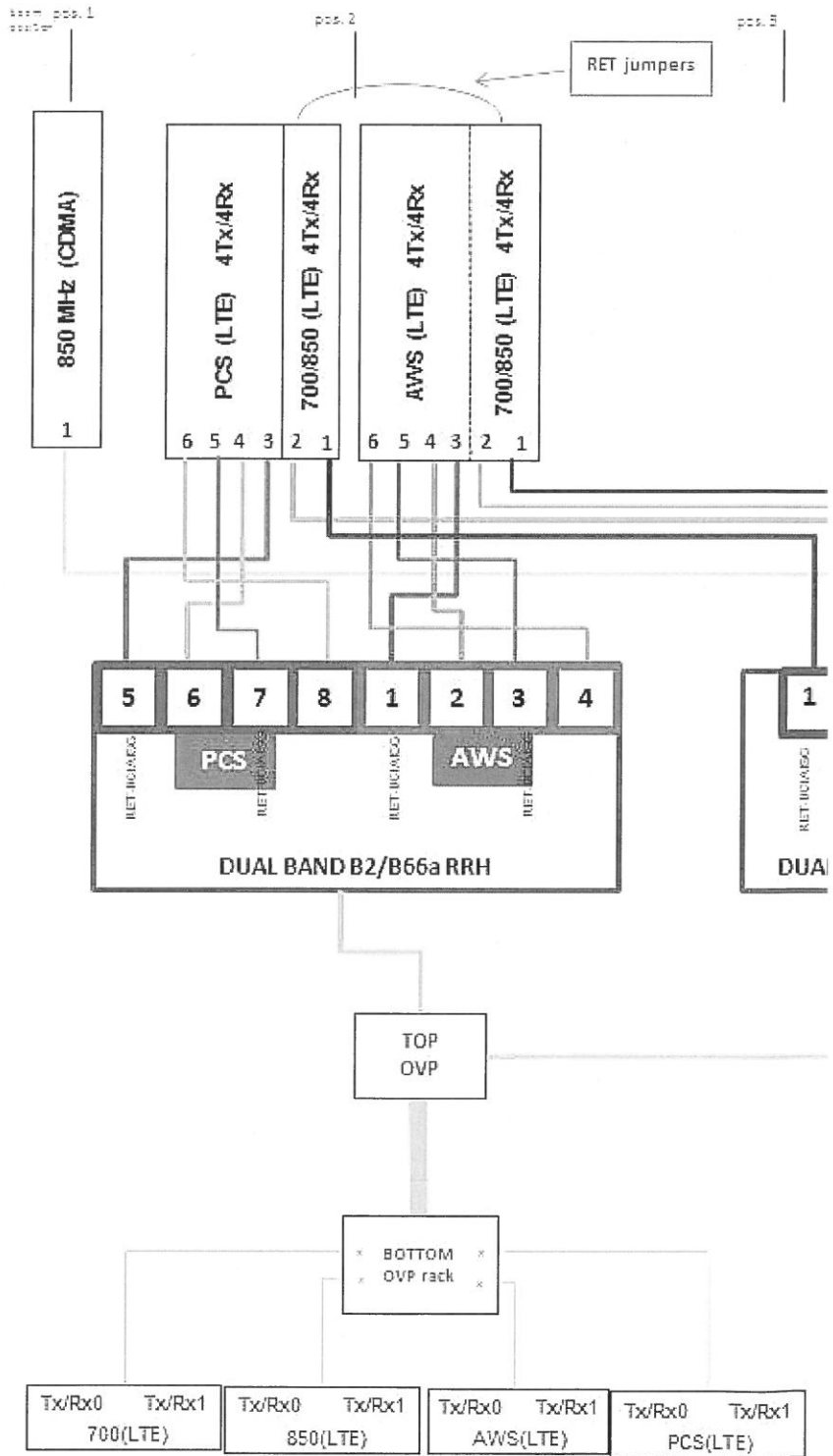


SCALE: 11"x17" - 1/8"=1'-0"
 22"x34" - 1/4"=1'-0"

REAR VIEW

10' sector boom or existing

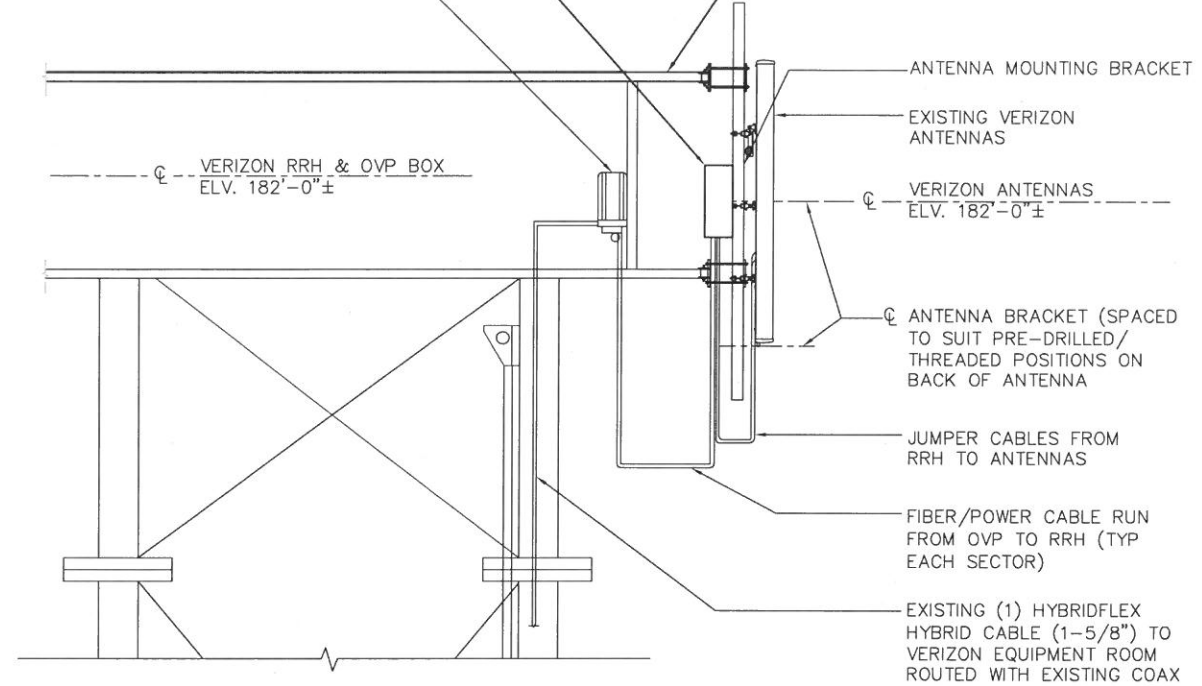
Moving back to the 10' boom as the standard configuration. NOTE: 12" mounts will be used on sites that require wide have room for two sets of antennas greater than 6-1/2" apart (positions 1 & 3; positions 2 & 4).



PROPOSED VERIZON RRHS WITH PROPOSED MOUNTING ASSEMBLY (TYPICAL EACH SECTOR)

EXISTING VERIZON OVP DISTRIBUTION BOXES

PROPOSED HAND RAIL KIT

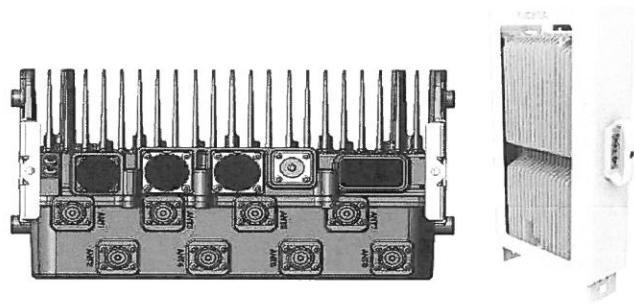


1 OVP/RRH/ANTENNA DETAIL
C-5 SCALE: NTS

2 NI
C-5 SC

AHFIC AirScale Dual RRH 4T4R B2/66a 320W

Supported Frequency bands	3GPP Band 2, Band 66a
Frequencies	Band 2: RX 1850 MHz - 1910 MHz, TX 1930 MHz - 1990 MHz Band 66a: RX 1710 MHz - 1780 MHz, TX 2110 MHz - 2180 MHz
Number of TX/RX paths/pipes	8 pipes. 4TX/RX - Band 2 & 4TX/RX - Band 66a
Instantaneous Bandwidth IBW	Full Band (LTE/WCDMA)
Occupied Bandwidth OBW	Full Band
Output Power	40W(B66a)/40W(B2) or 60W(B66a)/20W (B2)
Power Sharing	No (60W/20W in B66a/B2 is an option)
RF Sharing	LTE, WCDMA, LTE + NB-IoT Supported
25G QAM Back Off	No Backoff at 40W, 0.8dB at 60W
Supply Voltage / Voltage Range	DC-48 V / -35 V to -60 V
Typical Power Consumption	820 W [50% ETSI Busy Hour Load (@80W per TX Pair)] 1125 W [100% RF Load (@80W per TX Pair)] 1200 W [100% RF Load @80W per TX Pair with 5BT and AISG ON]
Antenna Ports	8 ports, 4.3-10+
Optical Ports	2 x CPRI 9.8 Gbps
ALD Control Interfaces	AISG3.0 from Ant1, 2, 5, 6 and RET (Power supply on Ant1 & Ant5, Ant3 & Ant6 with two controls) AISG 3.0 Ping support exception applies.
Other Interfaces	External Alarm MDR-26 Serial connector (4 inputs, 1 Output) DC Circular Power Connector



Operational Temperature Range	-40°C to 55°C
Dimensions (mm)	560 x 308 x 181 (radio only)
Height x width x depth	
Volume (liters)	< 32 (Current working volume 31.2L)
Weight (kg)	< 36
Ingress protection class	IP65
Installation options	Pole or Wall; Vertical or Horizontal Rack Mount
Surge protection	Class II 5kA

3 RRH MANUFACTURER DETAIL - FOR REFERENCE ONLY
C-5 SCALE: NTS

AHBCA

Supported	
Number of TX	
Instantaneous Occupied	
Supply Voltage Typical Po	
ALD C	

4 RF - F
C-5 SC